



giroflex 40

Designed by ITO-design
A product of Flokk

Learn more about
giroflex 40

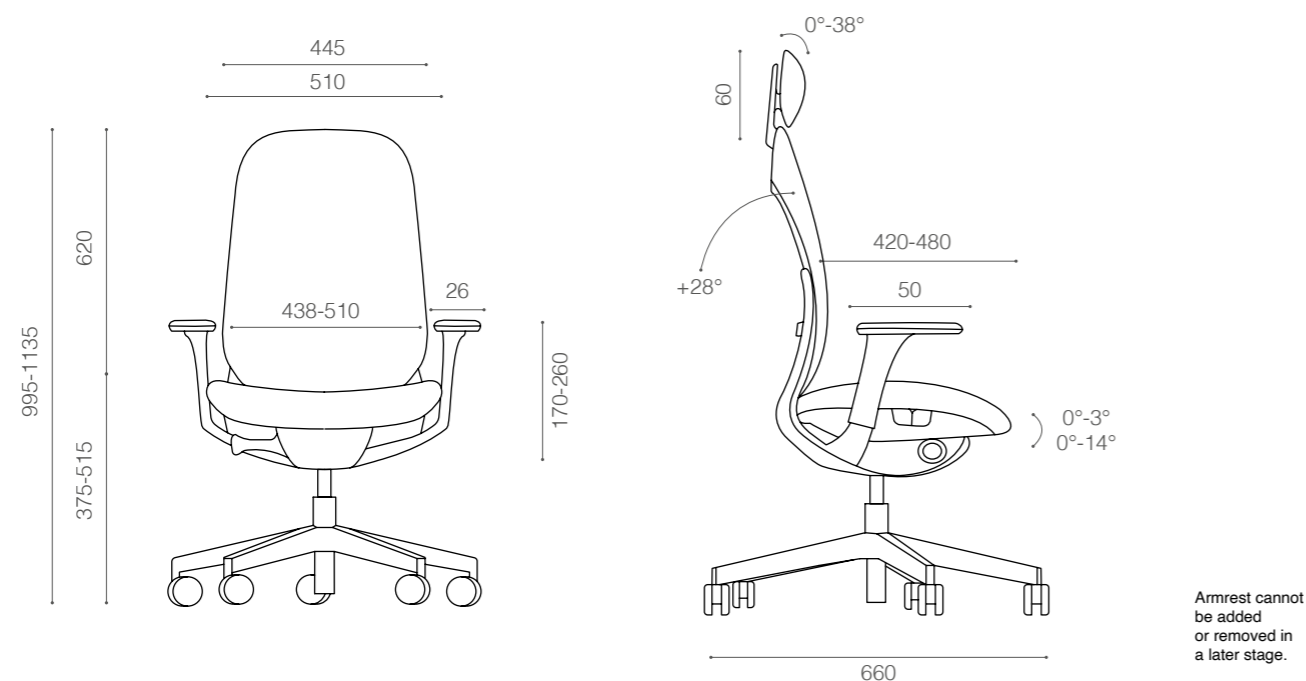


The giroflex 40 is an elegant, energizing contribution to every work environment, with its health-focused purpose design and harmonic approach.

The holistic and timeless design of giroflex 40 is a synergetic combination of the forwarded circular Giroflex-DNA and discreetly placed functional details in its platform and seat, brought to you with outstanding quality that enhances the blood circulation in your body.

The giroflex 40 offers a large variety of functions already included in the standard version and offers an essential range of options and variants for fast and easy decision-making.

Measurements



Seat height loaded	375-515 mm
Total height (without headrest)	995-1135 mm
Backrest height above seat	620 mm
Seat width	510 mm
Backrest width	445 mm
Total width (5-arm base)	660 mm (diameter 720 mm)
Seat depth	420-480 mm
Armrest height above seat	170-260 mm
Armrest width	min. 438 mm in lowest, narrowest position max. 510 mm on highest, widest position
Seat inclination angle	0°-3° for FSD function 0°-14° for synchro mechanism
Backrest inclination angle	+28°
Headrest hight adjustment	60 mm
Headrest inclination angle	5 position system with 38° angle range
Armpad sideways movement	26 mm
Armpad longitudinal movement	50 mm
Mechanism – adjustment range	45-110 kg
Weight with / without armrests	19,4 kg / 17,5 kg

Measurements according to EN 1335 | Measurements can vary slightly from chair to chair

Technical description

Mechanism Synchro Move	Giroflex office chairs offer synchro motion, resulting in a natural body movement as you recline in the chair. The more backward you recline the seat, the more your upper body will open up. This movement is created by the synchro mechanism, which drives the motion of the seat and backrest individually, at a ratio of approx. 1:2
Mesh back	Pronounced ergonomic design for optimal adaptation and support. The mesh fabric RUNNER from Camira guarantees optimal comfort and air circulation
Lumbar support	Height adjustable Handles in black plastic, for height adjustment and activation/de-activation of lumbar support function
Seat with dual-zone profile	The front part (approx. 1/3 of the seat surface) has a 7° forward tilt to relieve pressure on thighs for optimal blood circulation
Seat- and back-frame	Aluminium, polished or powder coated black 810
Base	5-arm plastic, black 810 Optional: 5-arm aluminium, polished or powder coated black 810
Armrest 3D - optional	Height adjustable, with longitudinal and sideways slidable armpad Note: Armrest cannot be added or removed in a later stage
Headrest - optional	Height and depth adjustable, headrest support plastic black 810 Covered by the fabric of the seat, when mounted in the fabric of the seat. Optional: mesh RUNNER or Leather NATURA
Castors	Ø 50 mm black, for hard or soft floors, braked unloaded Optional: Ø 65 mm black, for hard or soft floors, braked unloaded

Configurations

Mesh back



Seat- and backrest-support



Polished aluminium

Black aluminium

Armrest (optional)



3D armrest

Headrest (optional)



Height adjustable

Base



5-arm base castors 50 mm



5-arm base castors 65 mm



5-arm base with gliders



Black plastic



Polished aluminium



Black aluminium

Cover materials

Mesh back Runner

- Colours from the Runner-Collection (<http://www.gabriel.dk>)
- Three-dimensional honeycomb design
- Optimum cushioning effect and back support
- Excellent air permeability, optimal climate
- 100% PES, Öko-Tex 100
- Flame retarding acc. to EN 1021-1 &-2, DIN 4102: B1

Upholstered seat

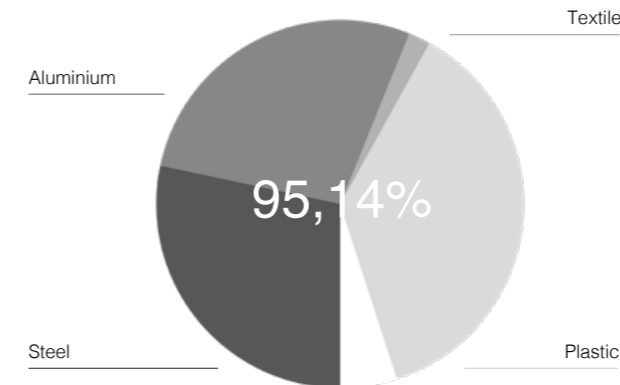
- Full Giroflex fabric, vinyl and leather range is available

You can find detailed fabric information in the Giroflex price list

Certifications and environment

Certifications

- GS-Certificate EN 1335-1/-2/-3
- GREENGUARD Gold Certification



Basic version of giroflex 40 (without armrest and headrest)

Recyclable materials

Steel	4,97kg	28,40%
Aluminium	4,88kg	27,88%
Textile	0,35kg	2,02%
Plastic (PA, PP, etc.)	6,45kg	36,84%

No recyclable materials

Foam (PUR)	0,85kg	4,86%
------------	--------	-------

Summary	17,50kg	100%
----------------	----------------	-------------

Recyclable materials in ready product

without armrests and headrest	95,14%
with armrests	95,28%
with headrest	94,34%
with armrests and headrest	94,58%

